



**KABA®**

**SIMPLEX®**

9600 Series Cabinet Lock

# 9600 Series Cabinet Locks

## Cabinet Locks

Pushbutton cabinet locks offer convenience, security and safety for a variety of applications including, but not limited to cabinets, lockers, desk drawers, gun safes, wall safes, liquor cabinets, tool boxes and anywhere a cam lock is used.

Our cabinet locks use the same proven combination system as our other pushbutton access controls.

The end user selects and sets their own personal code, which they can change in seconds without removing the lock from the door. Available for use in wood or sheet metal applications, the Kaba cabinet lock provides security and eliminates key hassles. The 9600 cabinet lock eliminates the problems of keyed locks:

**No more:**

- lost or stolen keys
- broken keys
- service calls or rekeying costs
- keys to control
- keys to hide
- keys to duplicate

## Mechanical Features

**Construction:** All metal, cast face plate

**Installation:** Horizontal or vertical. Two-step mortise installation using router or 5 5/8" (140 mm) x 1" (25 mm) slot with trim plate (for wood applications). Punched slot or series of 7/16" (11 mm) drilled holes (for metal applications)

**Door handing:** None

**Numeric pushbuttons:** Vandal resistant, 5-button, anodized aluminum, mechanical

**Weight:** 1 lb. (0.5 kg)

**Bolt:** End-throw/cross-throw deadbolt (with manual relock); end-throw/cross-throw spring latch (automatically relocks)

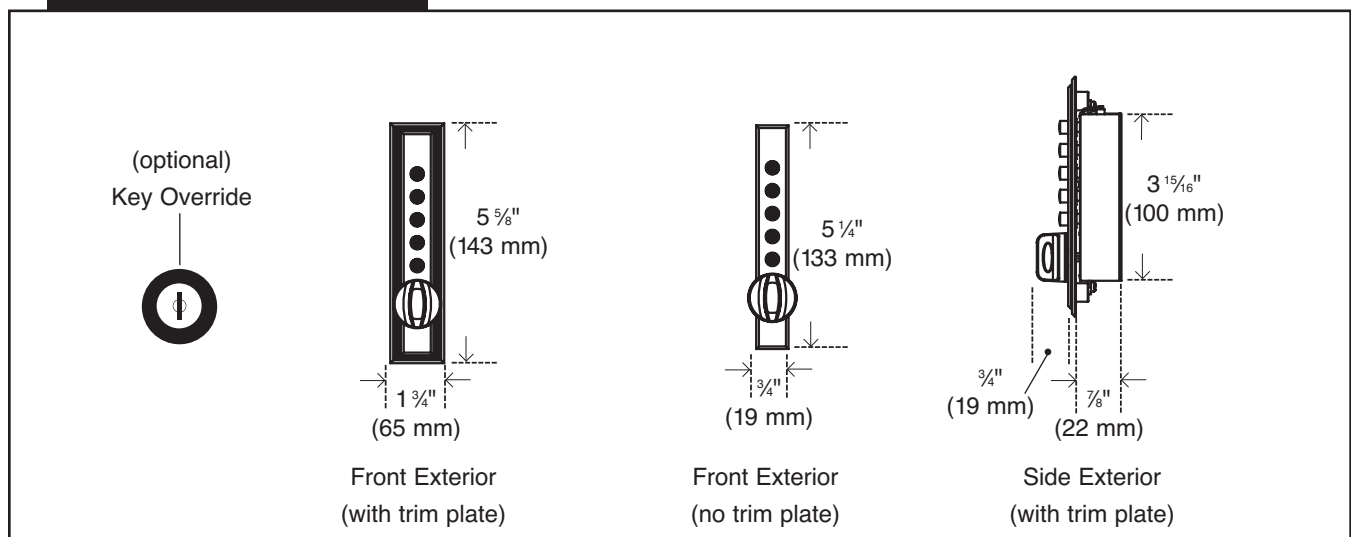
**Optional:** Key override available (where applicable)

**Door thickness:** Wood doors: 5/8" (16 mm) to 7/8" (22 mm); sheet metal applications: 20 to 14 gauge

**Finishes:** Bright Brass 03 (605), Satin Brass 04 (633) and Satin Chrome 26D (626); buttons and optional trim plate are black

**Key override:** Optional (spring loaded latch models)

## 9600 Series Dimensions



# A Solution for Every Door ... and Every Budget

MECHANICAL		ELECTRONIC			
ACCESS CREDENTIALS					
NUMBER OF ACCESS CODES	SINGLE CODE	100 CODES	100 CODES	3,000 CODES	3,000 CODES/CARDS
LOCKING DEVICE OPTIONS					
KEY OVERRIDE					
CERTIFICATIONS					
OPTIONS	PRIVACY/LOCKOUT ENTRY/EGRESS PASSAGE INTERIOR COMBINATION CHANGE	PRIVACY KNOB ENTRY/EGRESS REMOTE RELEASE	PRIVACY KNOB ENTRY/EGRESS REMOTE RELEASE	PRIVACY KNOB ENTRY/EGRESS REMOTE RELEASE	PRIVACY KNOB ENTRY/EGRESS REMOTE RELEASE
<b>E-PLEX® – STANDARD FEATURES</b> <ul style="list-style-type: none"> <li>• Passage</li> <li>• Lockout</li> <li>• Automatic Passage Re-Lock</li> <li>• Service Codes</li> <li>• Tamper Shutdown</li> <li>• Indoor/Outdoor</li> </ul>		SOFTWARE PROGRAMMING	OPTIONAL	OPTIONAL	OPTIONAL
		AUDIT CAPABILITIES	3,000 EVENTS	30,000 EVENTS	30,000 EVENTS
		ACCESS SCHEDULES			

PKG3149 0407

